



Mongrain Vertical Transport Inc.

CANTILEVERED ROPED HOLELESS HYDRAULIC ELEVATOR PACKAGES

The Cantilevered Roped holeless elevator design from Mongrain Vertical Transport eliminates the uncertainty of an in ground cylinder and the inconvenience of longer installation times and expense caused by drilling holes. The single stage hydraulic cylinder is completely above ground, where it can be easily inspected and maintained, and where it remains safe from oil leaks and corrosion.

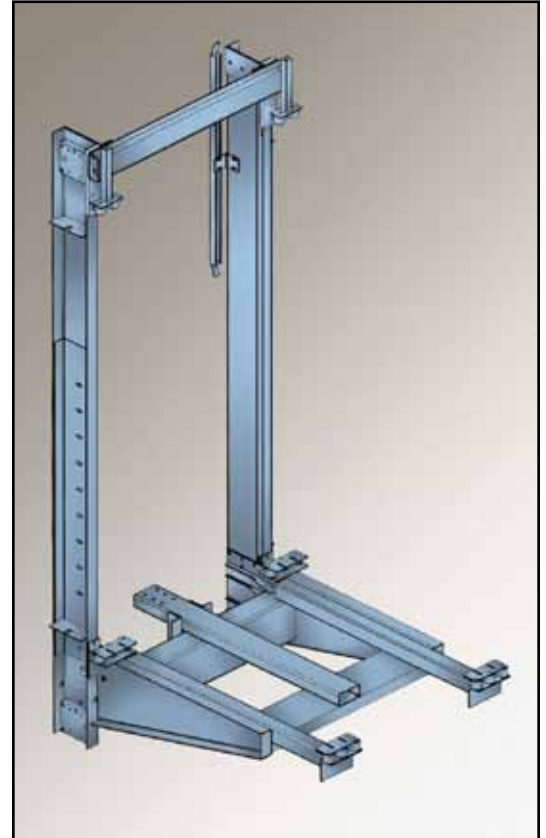
Each Mongrain Vertical Transport Holeless Hydraulic Elevator Package contains:



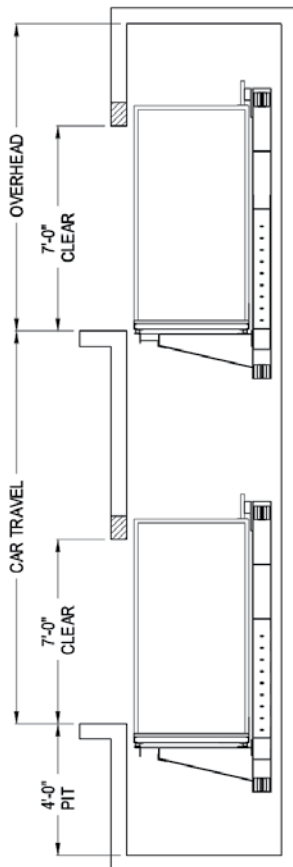
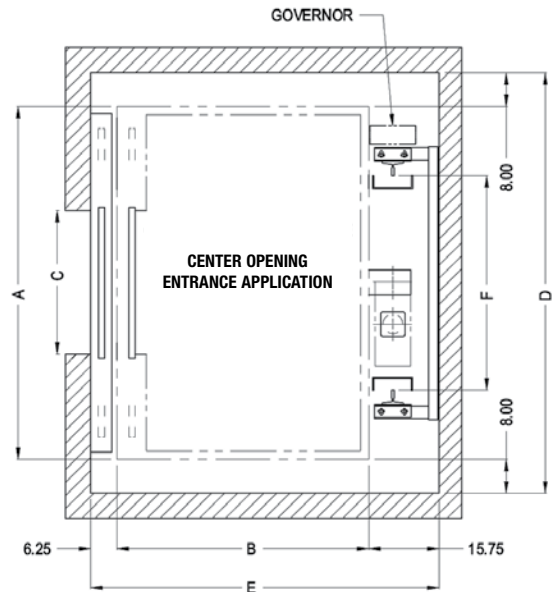
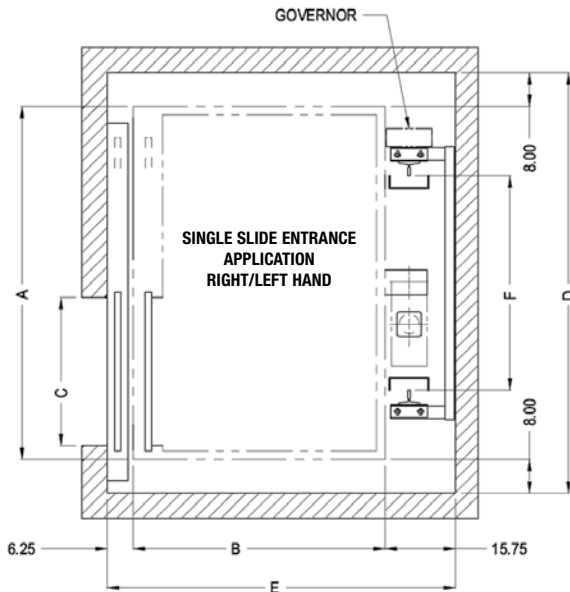
- Hydraulic cylinders with honed pistons;
- Submersible power unit incorporating a low pulsation screw pump, oversized submersible motor, and a muffler that eliminates the pulsation of pressurized oil for a smoother and quieter ride;
- Car sling package with guide rails, brackets, platform, toeguard, roller guides, progressive safeties, governor, rupture valves, buffers, limit switches, cam, and all necessary hardware;
- Manual of shop and field installation drawings.

Each component is manufactured to exacting quality standards, and rigorously inspected at Mongrain Vertical Transport before shipment.

The Cantilevered Roped design can be used for car travels up to 98ft while maintaining standard overhead and pit dimensions. It is well suited for small to medium sized applications. Standard cantilevered roped configurations are described on the following pages.



CANTILEVERED ROPED HOLELESS HYDRAULIC ELEVATOR PACKAGES



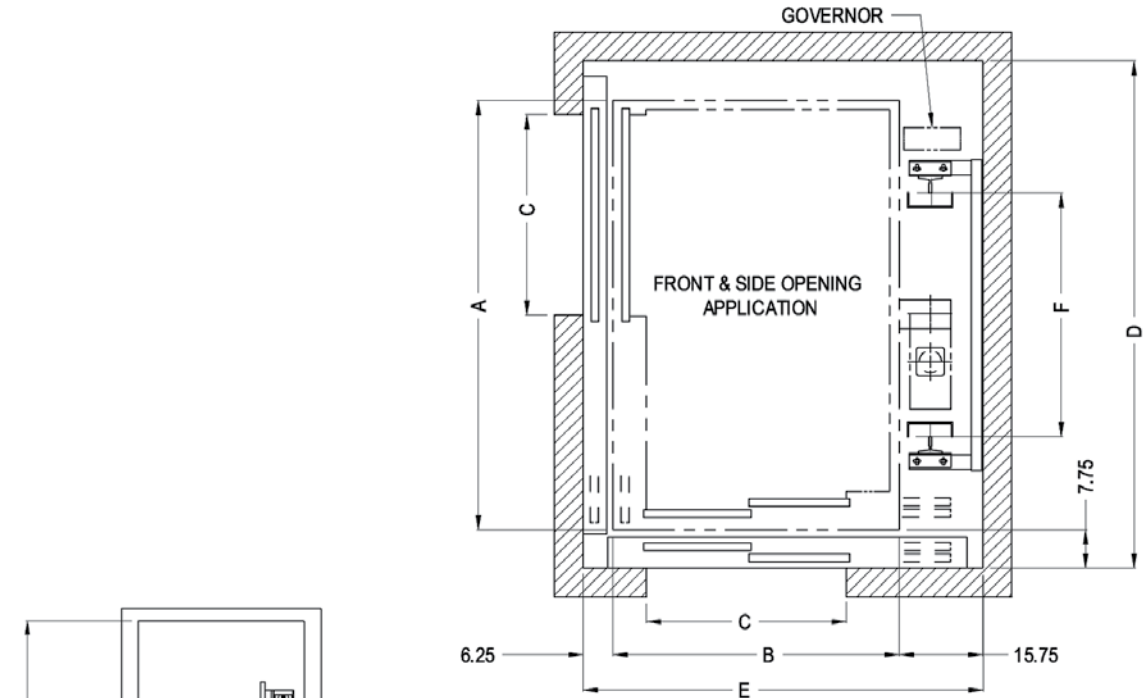
SPECIFICATIONS: CANTILEVERED ROPED HYDRO-PASSENGER

Type	Roped Hydro Front Opening Only			
Service	Passenger			
Speed	80 FPM, 100 FPM, 125 FPM, 150 FPM			
Capacity	2000 lb	2500 lb	3000 lb	3500 lb
Clear Car Size				
W x D	5'-8" x 4'-3"	6'-8" x 4'-3"	6'-8" x 4'-9"	6'-8" x 5'-5"
A	6'-0"	7'-0"	7'-0"	7'-0"
B	5'-0"	5'-0"	5'-6"	6'-2"
C	3'-0"	3'-6"	3'-6"	3'-6"
D	7'-4"	8'-4"	8'-4"	8'-4"
E	6'-10"	6'-10"	7'-4"	8'-0"
F	4'-3 1/8"	4'-3 1/8"	4'-3 1/8"	4'-3 1/8"
Pit	4'-0" Standard			
Overhead	12'-4" (8 FT CAB) 13'-4" (9 FT CAB)			
Machine Room	7'-0" x 5'-0" x 7'-6"			
	Machine room may vary. Consult MVT engineering with questions.			
Entrance Types	Single Slide (Left or Right) Center Opening (Not available for 2000 lb Capacity)			
Travel	Maximum 98'-0"			
Governor	Pit or Overhead Mounted			

Mongrain Vertical Transport Inc.

740 4th Ave • Grandes-Piles, QC • Canada G0X1H0 • Tel: 819-538-3400 • Email: info@mvtinc.com • www.mvtinc.com
Warehouse: 4 William Demarest Place • Waldwick, NJ 07463

CANTILEVERED ROPED HOLELESS HYDRAULIC ELEVATOR PACKAGES



SPECIFICATIONS: CANTILEVERED ROPED HYDRO-PASSENGER

Type	Roped Hydro Front & Side Opening			
Service	Passenger			
Speed	80 FPM, 100 FPM, 125 FPM, 150 FPM			
Capacity	2000 lb	2500 lb	3000 lb	3500 lb
Clear Car Size Width x Depth	5'-8" x 4'-3"	6'-8" x 4'-3"	6'-8" x 4'-9"	7'-2" x 5'-5"
A	6'-6"	7'-6"	7'-6"	8'-0"
B	5'-0"	5'-0"	5'-6"	6'-2"
C	3'-0"	3'-6"	3'-6"	3'-6"
D	7'-8"	8'-8"	8'-8"	9'-2"
E	6'-10"	6'-10"	7'-4"	8'-0"
F	4'-3 1/8"	4'-3 1/8"	4'-3 1/8"	4'-3 1/8"
Pit	4'-0" Standard			
Overhead	12'-4" (8 FT CAB) 13'-4" (9 FT CAB)			
Machine Room	7'-0" x 5'-0" x 7'-6" Machine room may vary. Consult MVT engineering with questions.			
Entrance Types	Right/Left Hand			
Travel	Maximum 98'-0"			
Governor	Pit or Overhead Mounted			

Mongrain Vertical Transport Inc.

740 4th Ave • Grandes-Piles, QC • Canada G0X1H0 • Tel: 819-538-3400 • Email: info@mvtinc.com • www.mvtinc.com
Warehouse: 4 William Demarest Place • Waldwick, NJ 07463

Mongrain Vertical Transport Inc.

740 4th Ave • Grandes-Piles, QC • Canada G0X1H0 • Tel: 819-538-3400 • Email: info@mvtinc.com • www.mvtinc.com
Warehouse: 4 William Demarest Place • Waldwick, NJ 07463

© 2014

Printed in U.S.A.